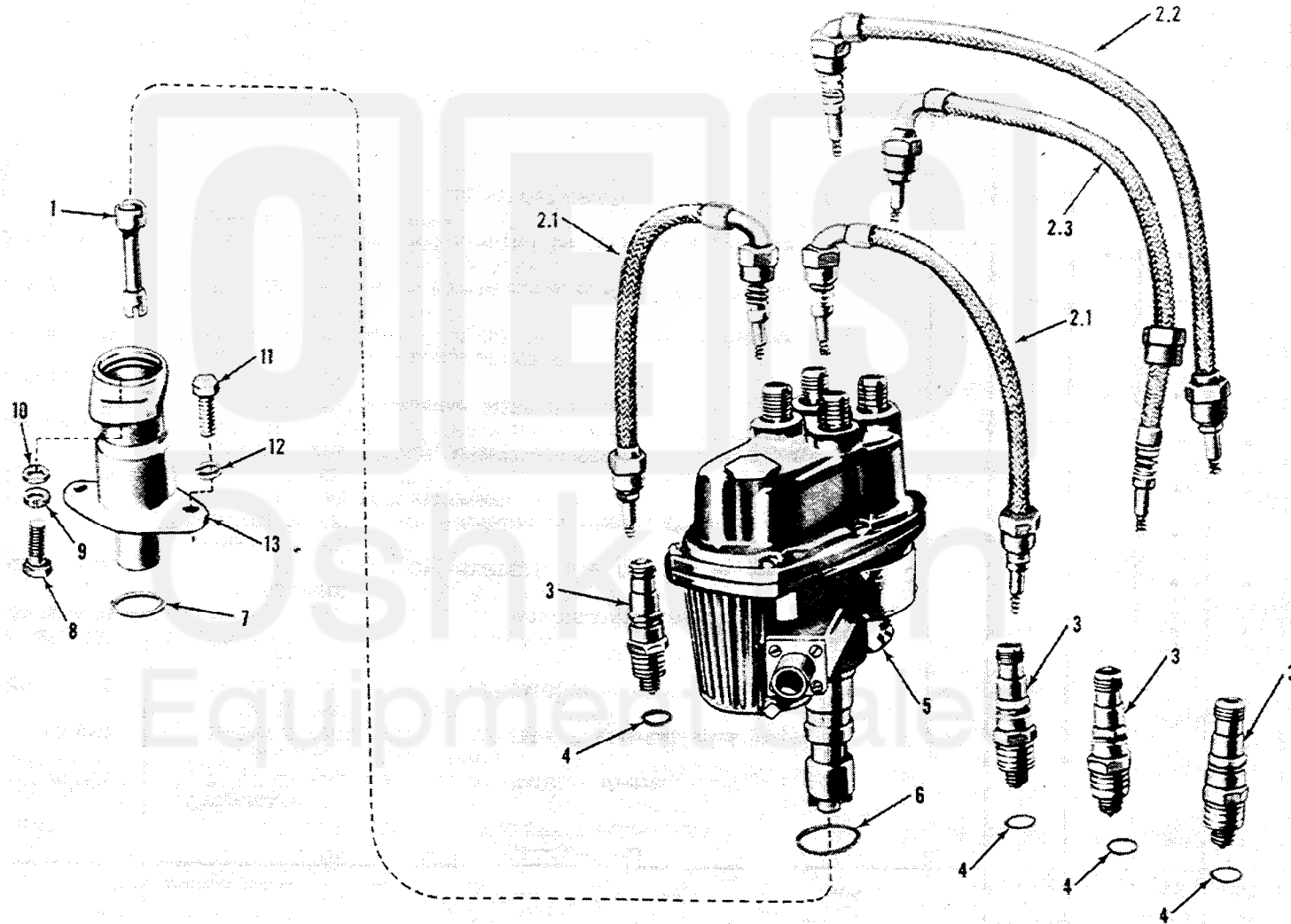


(1) SMR Code	(2) Federal Stock Number	(3) Description Reference number & mfr Code	(4) Unit Of Meas.	(5) Qty Inc In Unit	(6) 15-day organizational Maintenance alw				(7) Illustration		
					(a) 1-5	(b) 6-20	(c) 21-50	(d) 51-100	(a) Figure No.	(b) Item No.	
		GROUP 0605, FIG. 6-5—Continued									
C	PAOZZ	2920-886-8081	REPAIR KIT, SPARK PLUG CABLE SET: 5702245 (19207)	EA	1	*	*	*	*		
		Composed of:									
C	PAOZZ	2920-008-4856	2—LEAD AND CONDUIT ASSEMBLY: electrical spark plug No. 3 & 4, 11660569-1 (19207)	EA	2	*	*	*	*	6-5	2.1
C	PAOZZ	2910-008-4857	1—LEAD AND CONDUIT ASSEMBLY: electrical, spark plug No. 1, 11660569-3 (19207)	EA	1	*	*	*	*	6-5	2.2
C	PAOZZ	2920-171-0340	1—LEAD AND CONDUIT ASSEMBLY: electrical, spark plug No. 2, 11660569-2 (19207)	EA	1	*	*	*	*	6-5	2.3
C	PAOZZ	2920-287-9135	SPARK PLUG: engine. MS35909-2 (96906)	EA	4	1	1	1	1	6-5	3
C	PAOZZ	5330-721-5895	GASKET: spark plug, (**gasket sets 2805-678-3187 & 2805-678-3190) MS35910-2 (96906)	EA	4	*	*	*	*	6-5	4
C	PAOFH	2920-078-2424	DISTRIBUTOR, IGNITION SYSTEM: (see fig. 6-6 for com- ponents), 11660529 (19207)	EA	1	*	*	*	*	6-5	5
C	PAOZZ	5330-579-7914	PACKING, PREFORMED: distributor to adapter, (**gasket set 2805-678-3187) MS28775-217 (96906)	EA	1	*	*	*	*	6-5	6
C	PAOZZ	5330-579-7911	PACKING, PREFORMED: distributor adapter to cylinder block (**gasket set 2805-678-3187) MS28775-215 (96906)	EA	1	*	*	*	*	6-5	7
C	PAOZZ	5305-225-3839	SCREW, CAP, HEXAGON HEAD: carb-s, cd-pltd, ¼-20 UNC-2A x 1 in. lg. distributor mounting, MS90725-8 (96906)	EA	1	*	*	*	*	6-5	8
C	PAOZZ	5310-582-5965	WASHER, LOCK: split, carb-s, cd-pltd, for ¼ screw size, distributor mounting, MS35338-44 (96906)	EA	1	*	*	*	*	6-5	9
C	PAOZZ	5310-809-4058	WASHER, FLAT: round, s, cd-pltd, for ¼ screw size, distributor mounting, MS27183-10 (96906)	EA	1	*	*	*	*	6-5	10
C	PAOZZ	5305-269-3212	SCREW, CAP, HEXAGON HEAD: carb-s, cd-pltd, 3/8-16 UNC-2A x 1-1/8 in. lg. adapter mounting, MS90725-61 (96906)	EA	2	*	*	*	*	6-5	11
C	PAOZZ	5310-637-9541	WASHER, LOCK: split, carb-s, cd-pltd, for 3/8 screw size, adapter mounting, MS35338-46 (96906)	EA	2	*	*	*	*	6-5	12
C	PAOZZ	2920-150-7320	ADAPTER: distributor mounting, 8754337 (19207)	EA	1	*	*	*	*	6-5	13

30 Page 71. Figure 6-5 is added as follows:



AT 39891

Figure 6-5. Distributor, spark plugs and cables.